

## Installation Instructions

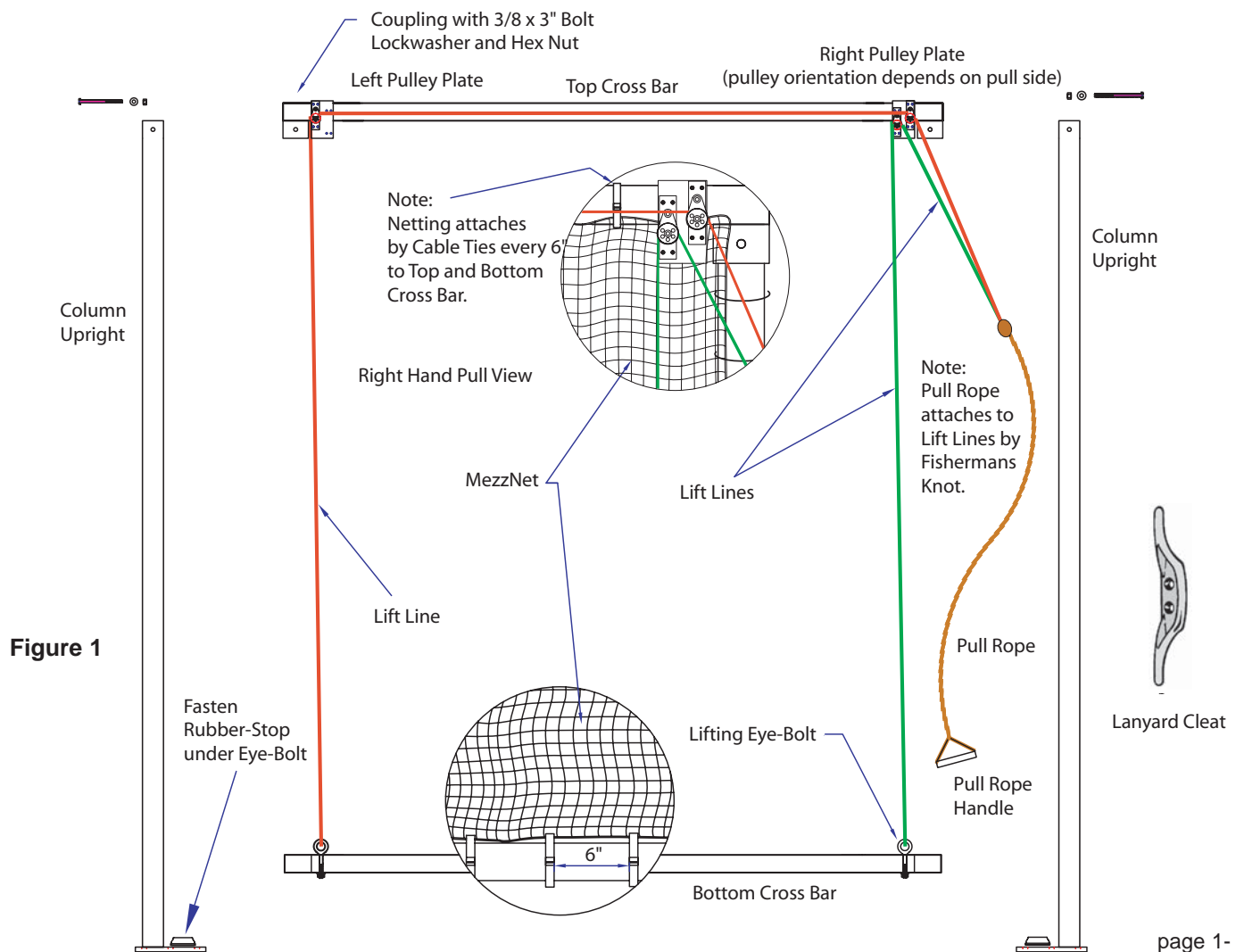
# Manual MezzNet Safety System



The INCORD Manual MezzNet is an easy to operate mezzanine safety system that protects workers from falling off raised loading gate areas. Using a simple rope pull, the MezzNet gate can be opened and closed from the floor below. The MezzNet consists of two steel column up-rights, an upper and lower crossbar, retractable safety net and actuating cables.

Unpack and check all components with the packing list. Contact INCORD if any parts are damaged or missing. Read all instructions before assembly of the Manual MezzNet Safety System.

**Note:** All front and labeled illustrations shown here are oriented and viewed from the forklift area (air view).



page 1- 3

**1.** Install the Left Column upright on the left side of the mezzanine gate area. Uprights are universal and should be positioned so that the column is at the outermost side of the base plate and closest to the edge of the mezzanine. Secure with bolts and washers to the deck as shown in Figure 2. See page 3 for details of installation to different types of decking.



Figure 2

**2.** Install the other Column Upright on the right side of the mezzanine gate area. Do not fasten at this time.

**3.** Place the Bottom Cross Bar between the two columns and adjust the column spacing for a 1/2 inch gap between each column and the Cross Bar Guides.

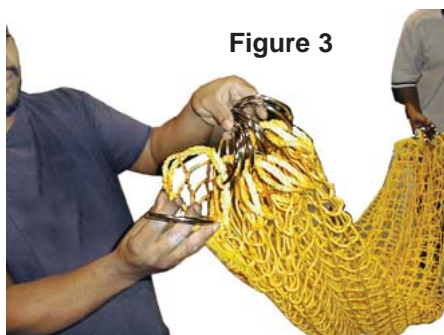


Figure 3

**4.** Gather the MezzNet and slide the Retaining Rings over each column. See Figure 3.

**5.** Install the Top Cross Bar over the two columns and fasten with 3/8 x 3 inch bolts, washers and hex nuts.

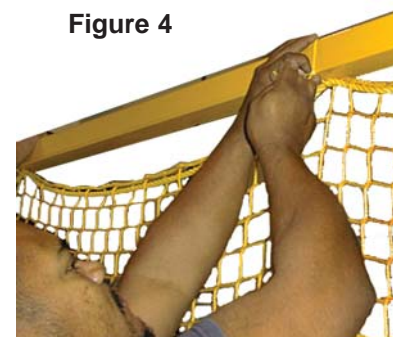


Figure 4

**6.** Secure the Right Column Upright to the deck with bolts and washers. Check to be sure the Lower Bar moves smoothly between columns.

**7.** Attach the MezzNet to the Top and Bottom Cross Bar with nylon ties, spacing the ties every 6 inches. See Figure 4.

**8.** Run the long lift cable up through the single top mounted pulley and then across to the upper pulley on the opposite side of the Cross Bar. Run the short lift cable up through and over the lower pulley. See Figure 1 for overall view and Figures 5 and 6 for pulley details.

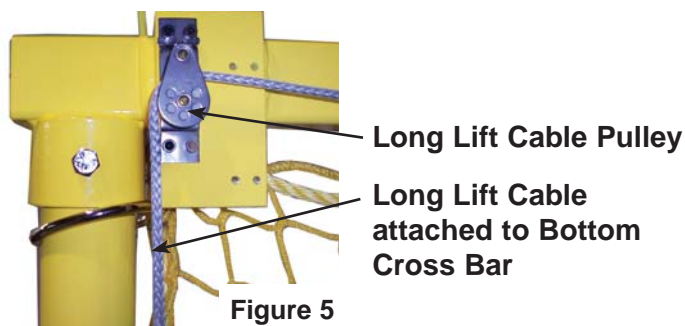


Figure 5

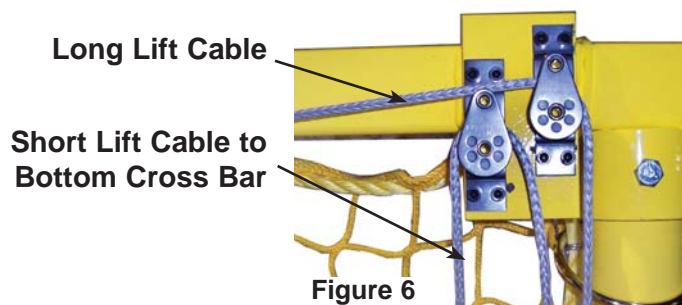


Figure 6

**9.** Tie the two lift cable ends to the pull rope with a fisherman's knot. This is basically a half hitch in both ends tied around each other and then pulled together tightly.

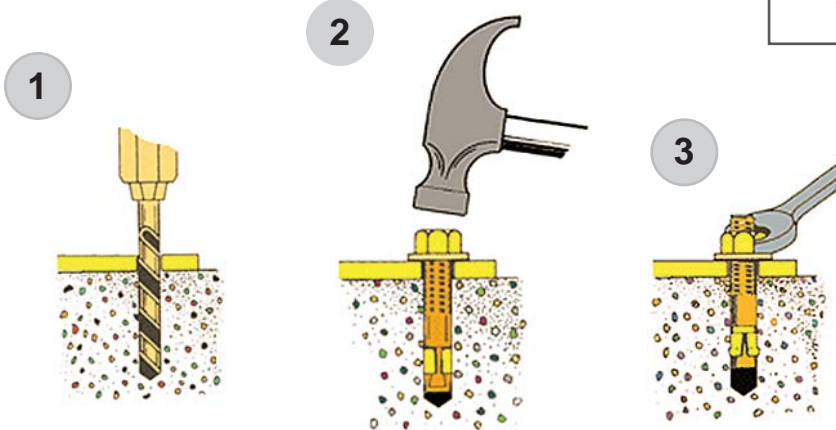
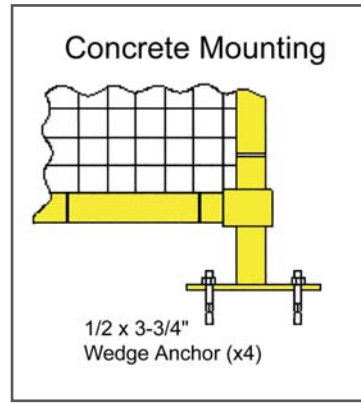
**10.** Test the operation of the MezzNet by pulling on the lanyard. Check that the lower bar travels smoothly and that the cross bar guides do not bind on the two columns. All cables must run freely through the pulleys. If necessary, loosen and adjust the position of the column base. This completes installation of the MezzNet Safety System.

## - Installation Notes -

The MezzNet Column Up-Rights must be secured to the mezzanine deck using hardware specific to the application:

**Concrete Mounting** requires the use of 1/2 x 3-3/4" wedge anchors (not supplied) as shown in details 1, 2 and 3.

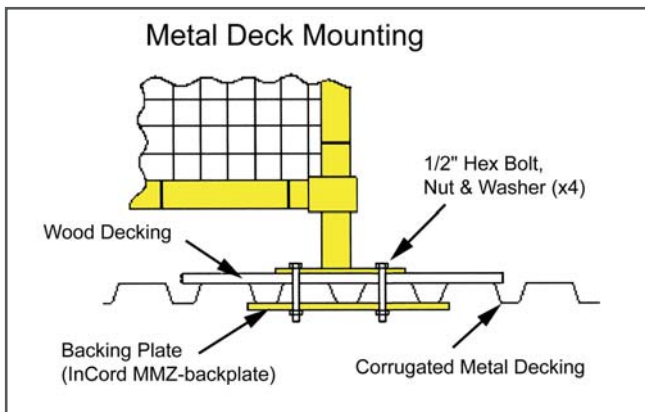
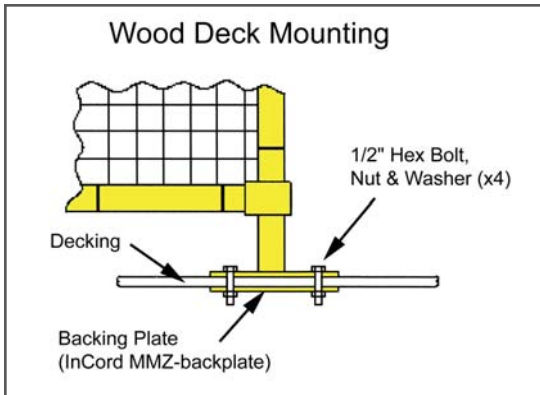
**Wood Deck and Metal Deck Mounting** uses a steel backing plate (InCord MMZ-backplate) and 1/2 bolts to secure the up-rights to the deck. See Illustrations.



The concrete wedge anchor uses an expanding spring steel band to lock the anchor into place with 3 or 4 turns of nut compression.



Note: wedge anchors are not supplied.



Lanyard Tie Down Cleat supplied with two lag bolts.



Completed installation of the Manual MezzNet showing the hand over hand operation of the lanyard to raise the mezzanine gate.